

1

2

3

4

5

6

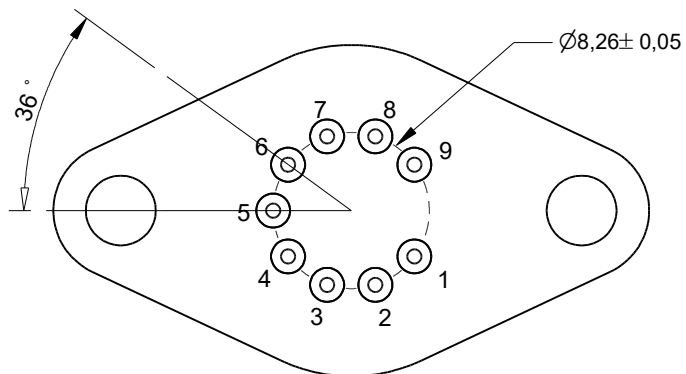
RevNo Revision note

Date

Signature

Checked

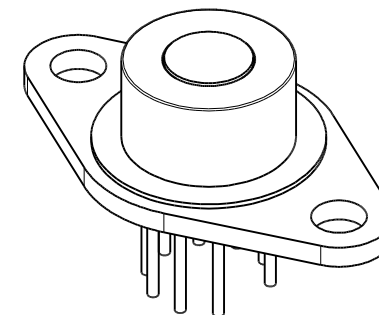
A

**Pin Assignment:**

- | | |
|-----------------------|------------|
| 1: TEC (+) | 6: n/c |
| 2: NTC | 7: LD (+) |
| 3: NTC | 8: LD (-) |
| 4: n/c (optional: PD) | 9: TEC (-) |
| 5: n/c (optional: PD) | |

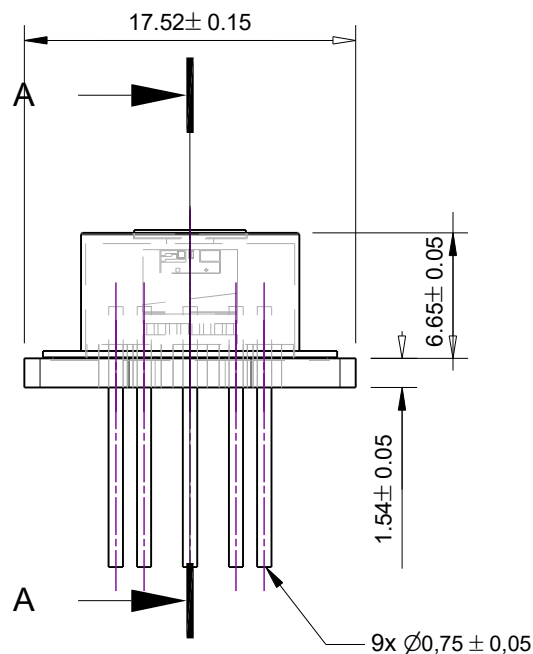
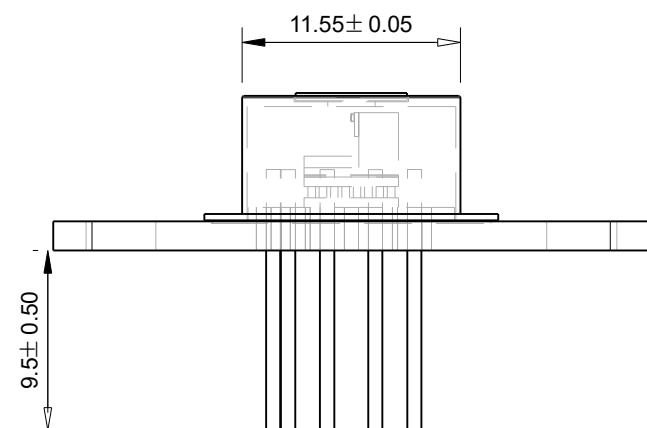
Emission point:

- centered on header
tolerances:
x: $\pm 0,3$
y: $\pm 0,3$

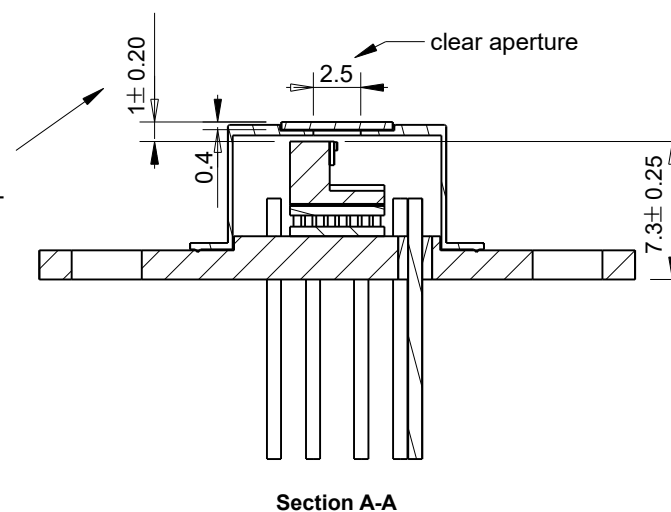


A

B

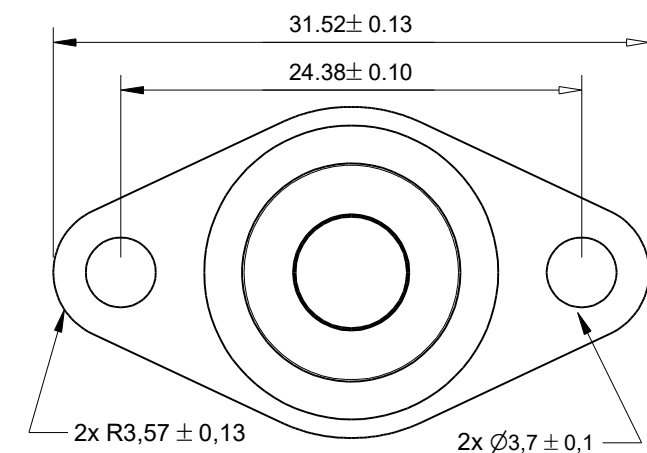


emission point to window surface



B

C



C

D

Note: Package is sealed under dry air (~10 % O₂) OR dry nitrogen atmosphere.
Note: The laser device is not designed for any reverse operation

Itemref	Quantity	TO66 w cap			Article No./Reference	
Drawn by W.Z.	Date 2013-05-24	Approved by - date	Material	File name	Scale	
Nanosystems and Technologies GmbH nanoplus		nanoplus Nanosystem and Technologies GmbH Oberer Kirschberg 4, 97218 Gerbrunn, Germany <small>© copyright nanoplus GmbH 2012, all rights reserved. nanoplus GmbH reserves the right to modify these specifications at any time without notice and is not liable for errors.</small>			Drawing No.	Edition
					All dimensions are in mm	

D

1

2

3

6